



## Product Information

### FC-PGA 370 *CompactPCI*<sup>®</sup> CPU • CC5-RAVE

Dokument Nr. 2195 • Edition 05/2002

*Likewise equipped with the Intel Celeron<sup>®</sup> or Pentium-III<sup>®</sup> processor, the CC5-RAVE is a powerful 3U (single size Eurocard) CPU board, well suitable for any *CompactPCI*<sup>®</sup> systems.*


The board is provided with the chip set 810(E), which contains an embedded graphics controller. The DVI-I interface allows for attachment of both, advanced and legacy flat panel displays and CRT monitors. The on-board USB-port is an universal interface to a variety of peripheral devices, as keyboard, mouse, printer, modem, or video camera. For high speed networking, the CC5-RAVE is provided with a 10/100Mbps Fast Ethernet twisted pair jack. All connectors mentioned above are comfortably available from the cards front panel.

As a mass storage interface, the CC5-RAVE provides for an Ultra ATA/66 connector, suitable for any EIDE harddisk and CD-ROM. A receptacle for CompactFlash cards allows utilization of silicon disks. The main memory is a SO-DIMM 144 form factor module up to 256MB. The jumperless board can be used with a front-side bus clock of up to 100(133)MHz.

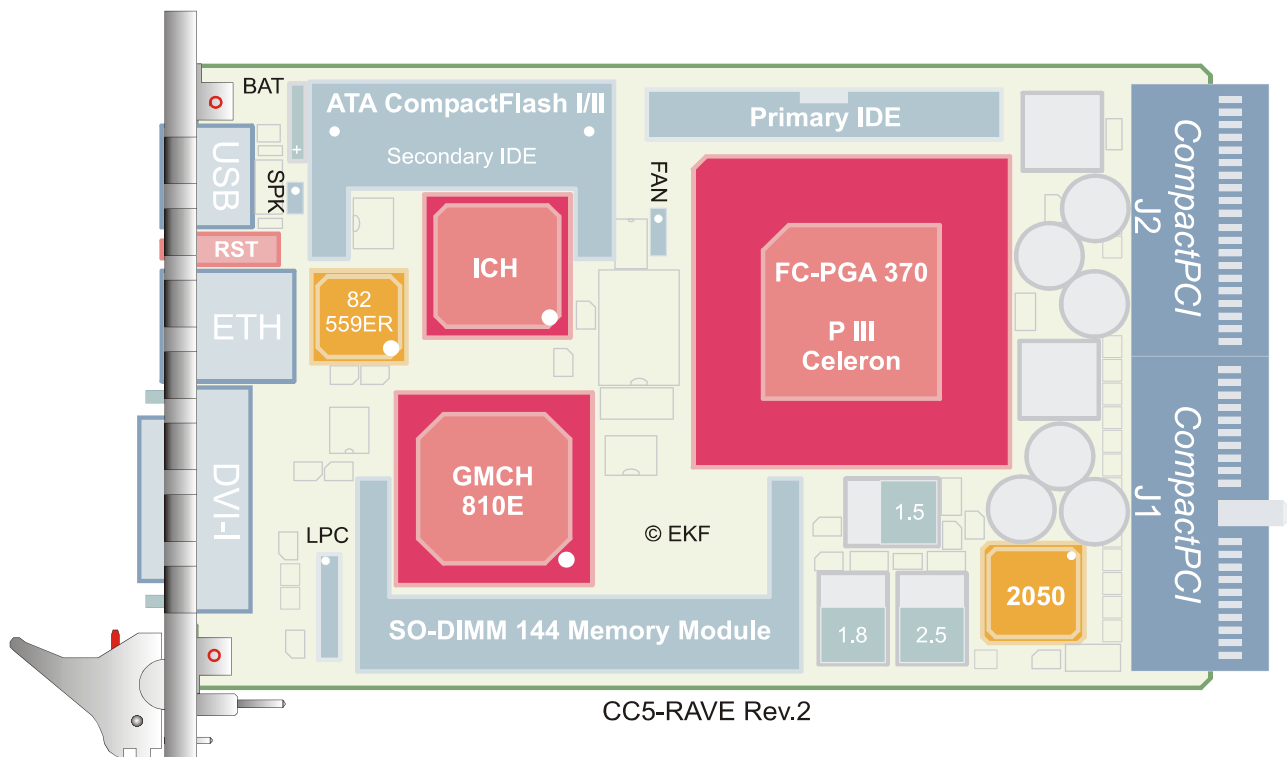
Equipped with a PCI-bridge chip, the CC5-RAVE offers a full CPCI interface for reliable system expansion. Especially designed for embedded systems applications, the *General Software* BIOS is maintained by EKF. So custom specific enhancements can be realized at anytime.



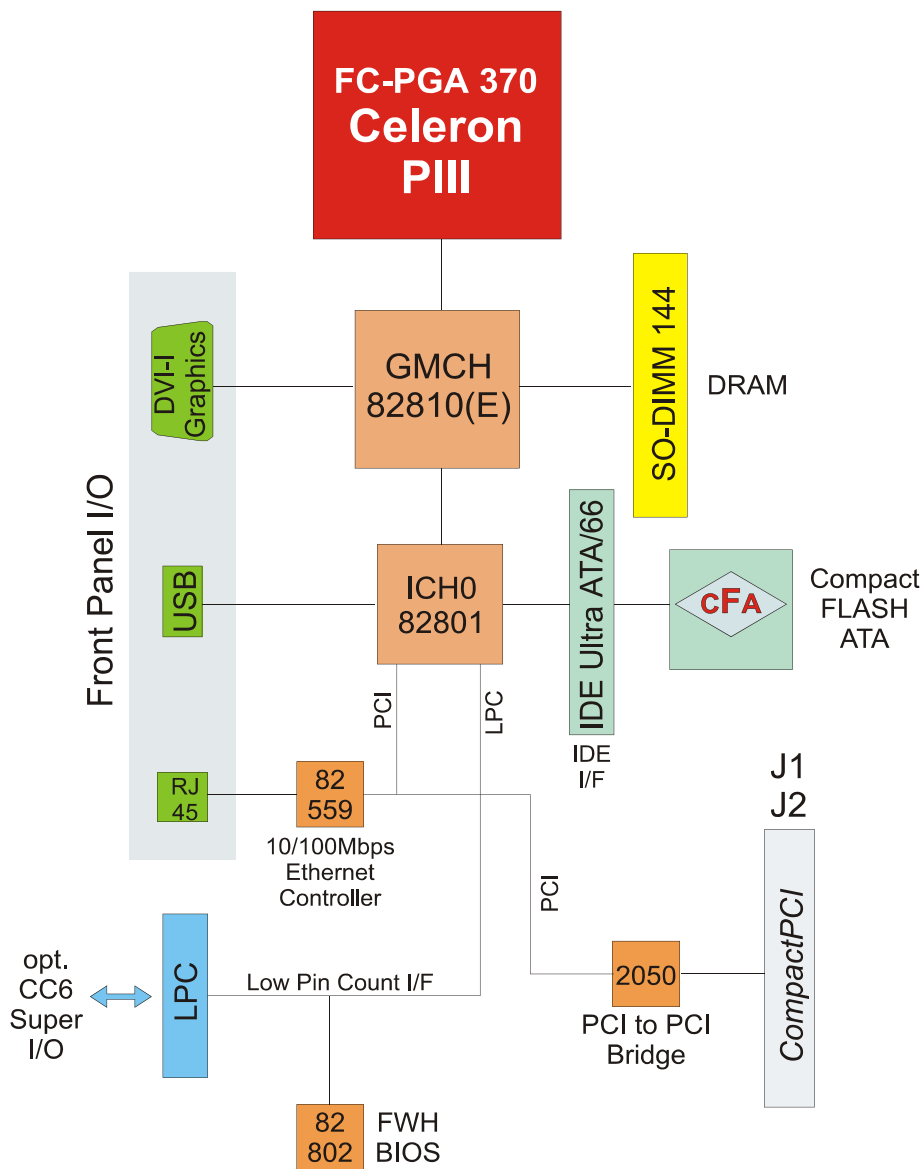
## Feature Summary CC5-RAVE

Form Factor	Single size <i>CompactPCI</i> style Eurocard (160x100mm <sup>2</sup> ), front panel width 4HP (20.3mm)
Processor	Support for Intel® Celeron™, Pentium®-III and VIA Cyrix® III processor, 370-pin PPGA or FC-PGA package
Chipset	i810E chipset consisting of: <ul style="list-style-type: none"> <li>• 82810E Graphics/memory Controller Hub (GMCH)</li> <li>• 82801 I/O Controller Hub (ICH0)</li> <li>• 82802 Firmware Hub (FWH)</li> </ul>
Memory	<ul style="list-style-type: none"> <li>• 144-pin dual inline memory module (SO-DIMM) socket, module height 1.05inch (26.7mm) max.</li> <li>• Support for up to 256MB, non ECC, unbuffered synchronous DRAM (SDRAM)</li> <li>• Support for serial presence detect (SPD) and non-SPD SO-DIMMs , PC-100 style</li> </ul>
Video I/O	Analog monitor and digital flat-panel display support by DVI-I connector (front panel), up to 1280x1024 pixel 16M colors 85Hz refresh rate, incorporates PanelLink Digital technology (Silicon Image) 
USB I/O	Single type A connector (front panel), USB1.1, data transfer rate of up to 12Mbit/s
Ethernet I/O	100Base-Tx/10Base-T Fast-Ethernet controller, 82559ER chip, RJ-45 connector (front panel), 100Mbps full-duplex, auto-negotiation
Legacy I/O	LPC Super-I/O interface connector, CC6-ACID companion board with Super-I/O controller available
IDE/ATA	<ul style="list-style-type: none"> <li>• Ultra ATA/66 40-pin connector (primary IDE port)</li> <li>• CompactFlash socket for CFA ATA cards utilizing 'True IDE Mode' (secondary IDE port)</li> </ul>
<i>CompactPCI</i>	32-bit, 33.3MHz, PCI bridge chip Texas Instruments PCI2050, 133MBps CPCI master
BIOS	General Software Embedded 2000 BIOS, 2..8Mbit flash memory (82802AA, 82802AB, 82802AC firmware hub)

Component Assembly CC5-RAVE (Top View)



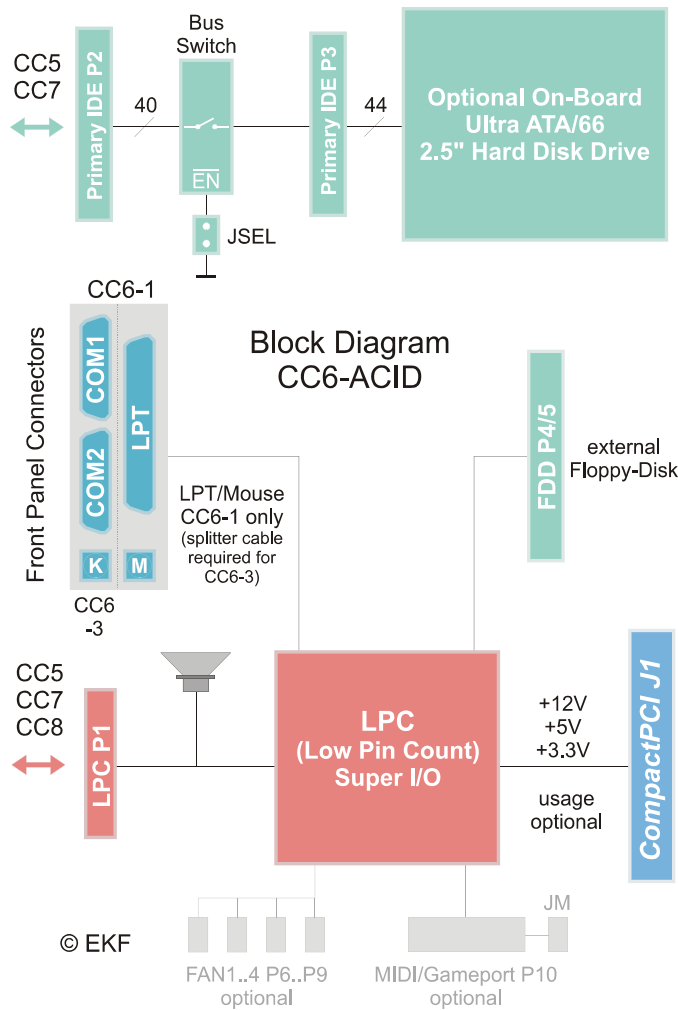
Block Diagram CC5-RAVE



Block Diagram  
CC5-RAVE

Available as a companion board to the CC5-RAVE, the CC6-ACID is provided with all PC legacy I/O ports. This module fits on either side of the CC5, top (CC6-1 and CC6-3) or bottom (CC6-3 only), utilizing the LPC Low Pin Count interface. The card will be required only if the classical interfaces, e.g. serial and parallel port remain in use in a given application.

The CC6-ACID can be delivered with an on-board 2.5" hard disk, resulting in a very compact system. The connectors LPT (CC6-1 only), COM1/2, mouse and keyboard are situated at the front panel, while a floppy disk drive can be attached via the on-board pin header. While the CC6-1 requires 8HP, the CC6-3 is equipped with a 4HP front panel.



CC5-RAVE & CC6-ACID

Ordering Information		
Alias	Ordering No.	Short Description
RAVE	CC5-1-RAVE	3U FC-PGA 370 CPU, 64MB SDRAM, Celeron 733MHz
RAVE	CC5-2-RAVE	3U FC-PGA 370 CPU, 64MB SDRAM, Pentium-III 850MHz (1GHz optionally)
	CC5-8-RAVE	128MB SDRAM option
	CC5-9-RAVE	256MB SDRAM option
ACID	CC6-1-ACID	3U Super-I/O module, expansion board to the CC5-RAVE, front panel width 8HP
ACID	CC6-3-ACID	Similar to CC6-1-ACID, front panel width 4HP, without parallel port connector, keyboard/mouse combined in one Mini-DIN connector (external splitter cable available as accessory)
	CR9-1-ADAPT	Mechanical kit, expands the CC5 front panel to 6U full height
	280.7.400	External keyboard/mouse Y-splitter-cable Mini-DIN male to 2 x Mini-DIN female (required for CC6-3 and CC6-4 only)
	908.51.02.01	DVI-D to DVI-D cable assembly, 2m, connects the CC5-RAVE to DVI monitors (digital way)
	908.57.02.01	DVI-I to HD DSUB15 cable assembly, 2m, connects the CC5-RAVE to VGA monitors (analog way)
	908.57.12.01	DVI-I to VGA adapter (plug to receptacle), to be plugged onto the CC5-RAVE DVI output, with HD DSUB15 socket, suitable especially for analog monitors with attached VGA cable

EKF Elektronik GmbH  
 Philipp-Reis-Str. 4  
 D-59065 HAMM  
 (Germany)



Internet <http://www.ekf.de>  
 Fax. +49 (0)2381/6890-90  
 Tel. +49 (0)2381/6890-0  
 E-Mail [info@ekf.de](mailto:info@ekf.de)